



Safety is for life.™

PRODUCT INFORMATION



FOR ZERO TO LOW PRESSURE OR VACUUM

Applications

From spray dryers, elevators and chain conveyors to screens with light vibration, silos with mechanical filling and cyclones – the EGV is suitable for use in a wide range of applications **in all sectors** for both non-pressurised processes and processes with low vacuum or overpressure (**up to 50% of static burst pressure**). The standard burst pressure is 0.1 bar at 22 °C (71.6 °F).

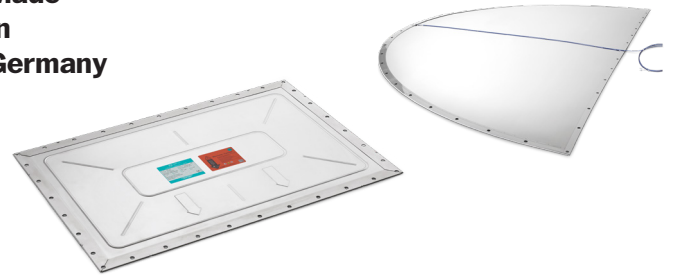
Mechanism

When pressure rises, the explosion vent opens at the defined breaking point and releases pressure out of the vessel into the surrounding area.

Your advantages

- **High venting capacity and full bore opening** due to low surface weight.
- **High stability and opening speed** through integrated bionic structure.
- Direct installation of the explosion vent even on round vessels **prevents accumulation of deposits and bacteria formation**. No complicated flange constructions required.
- **Adapts perfectly to your process** due to the wide range of EGV geometries available.
- **Quick and easy installation** as EGV is torque independent. No additional counter frame required.
- **Significant space savings** due to the integrated gasket and frame in the explosion vent.
- **Guaranteed leaktight integrity**. Independently verified.

Made in Germany



Technical data*

Standard burst pressure P_{stat}	0.1 bar
Max. permitted operating pressure	50% of P_{stat}
Temperature	-40 to +180 °C (-40 to +356 °F)
Material	Stainless steel
Gasket material	FDA approved silicon gasket
Tolerance	±20% at standard burst pressure
Process	Pulsating/non-pulsating
Standard vacuum resistance	50% of set pressure at non-pulsating processes
Recommended torque for M10 screws	20 Nm

*Our specialists will be pleased to assist you in finding a solution that matches your specific operating conditions.



ATEX
EC type examination
certificate no.
FSA 04 ATEX 1538 X

SIL equivalent SIL 4

You can find detailed information and contact details for enquiries relating to EGV explosion vents at www.rembe.de. Or just give us a call on: T +49 2961 7405-0, info@rembe.de.

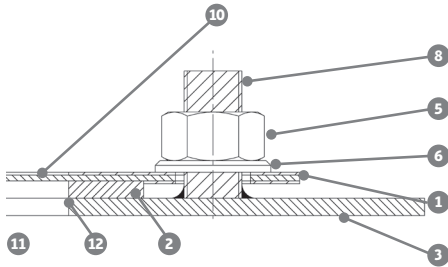




Safety is for life.™

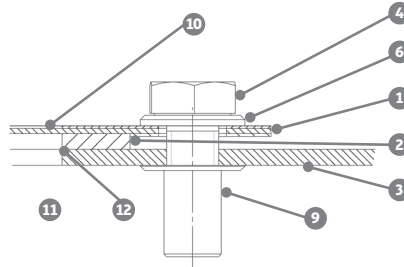
PRODUCT INFORMATION

Installation options



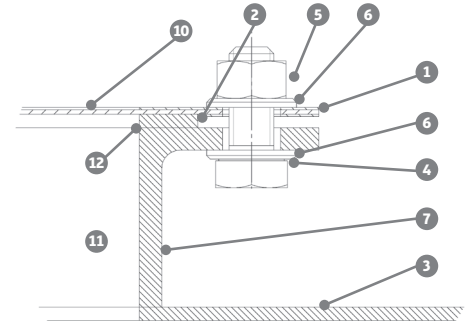
Installation with welded threaded bolts.

- 1 Explosion vent (bursting element, integrated gasket and integrated frame)
- 2 Integrated gasket
- 3 Vessel wall (opening dimensions +0/-2 mm)
- 4 Bolt



Installation with lock nuts.

- 5 Nut
- 6 Washer
- 7 Angular frame
- 8 Threaded bolt



Installation with flanges.

- 9 Lock nut
- 10 Bursting element
- 11 Opening
- 12 Edge ($r \leq 2$ mm)

Standard dimensions	
Max. size of wall opening – nominal vent dimensions [mm]	Effective venting area [cm ²]
130×500	650
229×305	700
180×420	750
200×460	920
247×465	1100
205×610	1250
340×385	1300
305×457	1350
315×467	1470
247×610	1500
330×470	1550
340×440	1490
400×400	1600
410×410	1680
305×610	1860
354×580	2050
375×655	2450
440×605	2660
470×610	2850

Standard dimensions	
Max. size of wall opening – nominal vent dimensions [mm]	Effective venting area [cm ²]
490×590	2890
300×1000	3000
454×760	3400
450×800	3600
600×600	3600
610×610	3720
457×890	4100
650×650	4220
520×820	4260
370×1220	4500
653×653	4260
600×800	4800
710×710	5000
620×820	5100
586×920	5400
500×1100	5500
750×840	5900
620×1020	6320
800×800	6400

Standard dimensions	
Max. size of wall opening – nominal vent dimensions [mm]	Effective venting area [cm ²]
610×1118	6800
760×1114	8450
840×920	7700
920×920	8500
457×2000	9140
1000×1000	10000
915×1118	10230
770×1340	10300
1020×1020	10400
790×1340	10500
920×1254	11537
1130×1130	12750
860×1520	13000
940×1440	13500
940×1600	15040
1110×1460	16000
920×1920	17500
1000×2000	20000

Other dimensions available on request.

Consulting. Engineering. Products. Service.

REMBE® GmbH Safety+Control

Gallbergweg 21 | 59929 Brilon, Germany | T +49 2961 7405-0 | F +49 2961 50714
info@rembe.de | www.rembe.de